

# RONTRON-RJ-Stainless Steel

The design award winning actuators of the RONTRON-R-JUWEL series are now available with stainless steel front. Their very flat design (2 mm) and elegant appearance is upgraded by the high-quality stainless steel surface.

To complement the range of laser printable pushbuttons with ring illumination and illuminated selector heads of the Rontron-R-Juwel series, we also offer membrane keys with stainless steel front ring providing labelling and illuminating options. Mounting diameter: 22.3 mm.

Degree of protection: IP65; IP69K (membrane key)  
Protection class: II



# RONTRON-RJ-Stainless Steel

The RONTRON actuators fit the following contact blocks:

Standard contact blocks

Faston terminals 2.8 x 0.8 mm  
Type series B...

Screw connections  
Type series B...K (approvals on request)



## Technische Daten:

acc. to VDE 0660 Ui~250V, Ith 6A  
acc. to VDE 0630  
IEC/EN 61058  
250V AC 6 (4) A  
Lamp voltage: 60V  
Lamp socket: T5,5K/W2x4,6d  
Lamp output: 1.2W max.



Electronic contact units  
with snap action

PCB-mount terminals  
Type series CTP...



Rated voltage: 20mV...48V AC/DC  
(non-inductive)  
max. current: 0.1A  
min. current: 0.01mA  
Lamp voltage: 60V  
Lamp socket: T5,5K  
Lamp output: 1.2W max.



Faston terminals  
Type series CTF...

Electronic contact units  
with snap action and up to two inverters

Faston terminals 2.8 x 0.8 mm  
Type series CT...

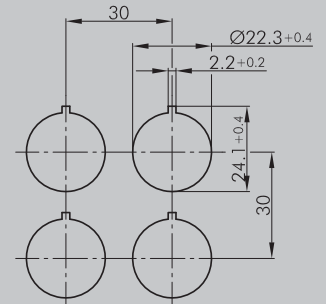


Rated voltage: 20mV...48V AC/DC  
(non-inductive)  
max. current: 0.1A  
min. current: 0.01mA  
Lamp voltage: 60V  
Lamp socket: T5,5K  
Lamp output: 1,2W max.



PCB-mount terminals  
Type series CZ... (approvals on request)

## Mounting depth dimensions



\* cannot be combined with the membrane keys