

minibox

for profile rail systems or wall-mounting

The minibox is a flat enclosure, easy to mount, with yellow lid for emergency stops. This enclosure will suit you well if individual emergency stops have to be installed at external places of installation, e.g. along production lines or at protection fences. The dimensions of the enclosure are geared to the edge length of a 40 mm profile rail but, once provided with a top-hat rail, the enclosure can also be mounted on flat surfaces of all kinds.

The minibox accepts the sleek Schlegel emergency stop FRUV or its illuminated version FRUVL.

The Enclosure

- > extremely flat: 108 x 40 x 27 mm
- > cable entry M16 on the side and at the bottom
- > fixation
 - >> profile rail assembly: one-hole screw fixing using a mounting clip
 - >> wall-mounting: mounting clip with two slotted holes for an optimal alignment

The Emergency Stop

- > emergency stop with illuminating option
- > switch elements with gold-plated contacts (max. 42V / 100mA) or silver contacts (max. 250V / 5A)
- > emergency contact unit with 2 NC
- > spring-cage connection in the bottom of the enclosure for cables 1.5 mm² max



minibox

for profile rail systems or wall-mounting

Mounting Order



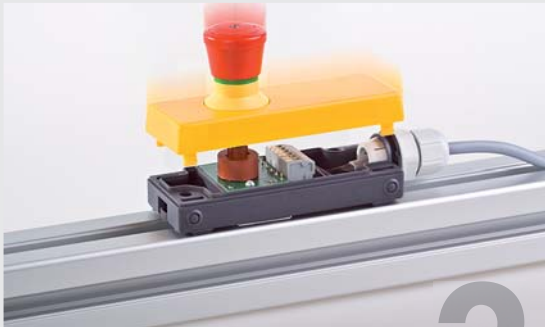
> screw on the mounting clip

1



> snap on bottom part of enclosure
> enter cable
> connect wire ends

2



> snap on the lid onto bottom part

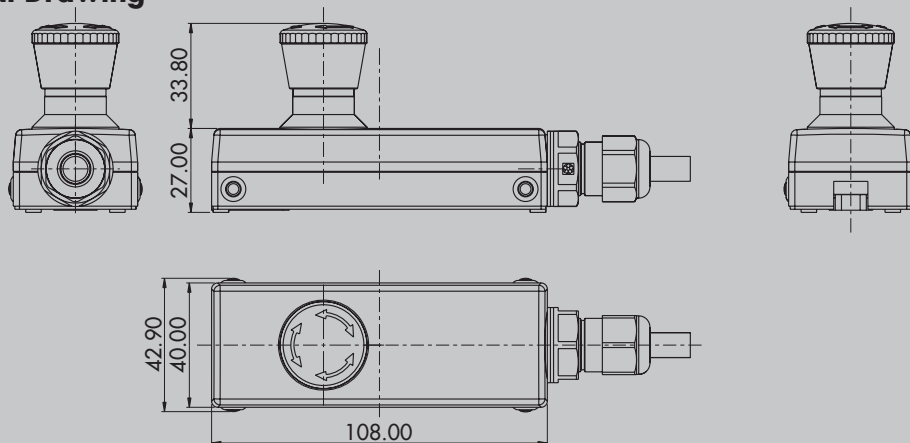
3



> ready

4

Dimensional Drawing



Type References

- > illuminated emergency stop
profile rail assembly: **MBP_FRUVLOO** wall mounting: **MBW_FRUVLOO**
- > non-illuminated emergency stop
profile rail assembly: **MBP_FRUVOO** wall mounting: **MBW_FRUVOO**